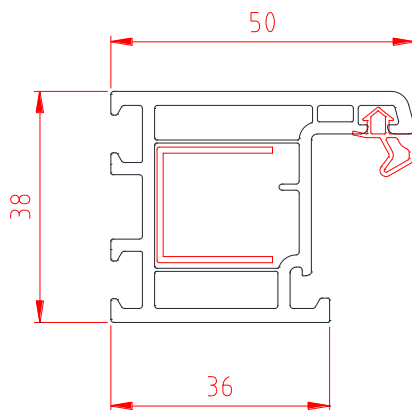


## ANDES 38 MM WINDOW SYSTEM

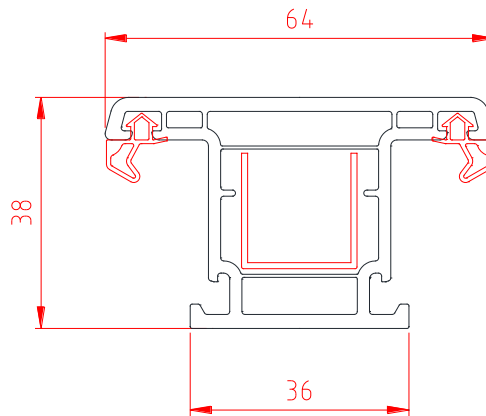
Andes window systems are exclusively intended for special climate conditions and usage areas such as South America and India, equipped with outside opening sash system.

**1. Main Profiles:** The system generally consists of two main profiles. Frame and Mullion profile. Mullion profile is also used as outside opening sash profile.

Frame Profile



Mullion - Outside Opening Sash Profile



**2. Operating Principle and Sash Dimensions:** Since Andes window system is made of 38 mm profiles, striker system, unlike in classical windows, is not being used. The system, operated with transom and the sash, is secured to the frame by means of the latch integrated to the handle. As the system does not feature striker locking it is only suitable for maximum 70 x 100 cm size window application.

Transom



Latched Handle

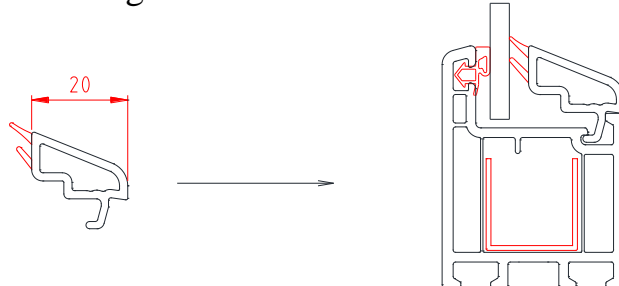


### 3. Glass and Glazing Beads

Following types of glazing bead can be used in Andes window system:

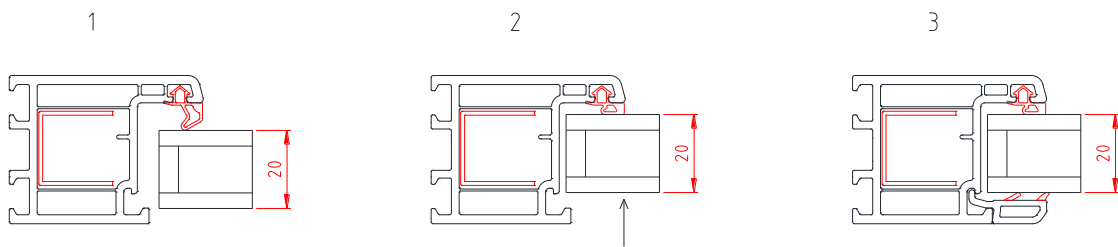
#### Single Glazing Application

Single Glazing Bead Profile



With the single glazing bead profile, that the system features, it is possible to carry out single glazing applications. While the system has a small profile structure and striker system is unsuitable, being more appropriate for single glazing application, double glazing bead profile is also available.

#### Double Glazing Application



Since the system has 38 mm profile width, in case 20 mm wide glazing application is carried out, the glazing closes up to bead groove, as shown in figure 1. The bead is installed to its position only upon pushing glazing and exerting pressure on the frame seal to open the bead channel. Therefore, use of glazing with total width of 17 mm (4+9+4) or 18.5 (4+10.5+4) with 9 or 10.5 mm interspaces respectively, is more convenient in terms of bead application. Besides, since the bead surface is small, care is necessary in case of application with the mallet.

If 24 mm glazing is required, frame seal is removed and seal on the bead is partly cut out, being the only feasible way of 24 mm glazing application.

